



# INFLATABLE KAYAK ACCESSORY FRAME SYSTEM

INSTRUCTION MANUAL  
*MODEL AE2042*



## IMPORTANT!

PLEASE READ THIS MANUAL CAREFULLY BEFORE PROCEEDING. AFTER READING THIS MANUAL, SAVE THESE INSTRUCTIONS FOR FUTURE REFERENCE.



*Thank you for your purchase of the Advanced Elements Accessory Frame System! Simply follow the instructions below to properly install your Accessory Frame. Once installed, add any aftermarket 1" rail mounts and customize with your choice of rod holders, a fish finder, or other accessories. As an added convenience, this kit comes with 2 sets of 4 grommets so that you can use your Accessory Frame on two different kayaks or to set up two locations on one kayak.*

The Accessory Frame System can be installed on the following Advanced Elements Models as well as many other boats:

- FireFly: AE1020
- Lagoon 1: AE1031/DragonFly: AE1001 and AE1021
- Lagoon 2: AE1033/DragonFly 2: AE1003 and AE1023
- All AdvancedFrame Models: AE1017, AE1012, AE1009, AE1007
- StraitEdge Kayak: AE1006
- StraitEdge 2 Kayak: AE1014

If you do not have an Advanced Elements kayak, make sure to measure your specific boat for proper fit: the layout pattern is 22" wide for the front grommets and 23" wide for the rear grommets.

**Items included in this package:**

- Accessory Frame
- 8 Mounting Grommets (2 sets of 4 for multiple applications)
- 2 tubes of Application Glue
- 1 Plastic Cutting Mat
- Instructions with Mounting Templates

**GROMMET APPLICATION FOR THE FOLLOWING AE MODELS:**

- FireFly
- Lagoon 1 and 2
- DragonFly 1 and 2
- All AdvancedFrame models.



For this application you will need the following items from this package:

- 4 Mounting Grommets
- Application Glue
- Plastic Cutting Mat
- Both Mounting Templates

Additional Items you will need for proper installation:

- Exacto or Matte Knife with a new blade
- Fabric chalk or pencil
- Metal straight edge ruler
- Scotch Tape and Duct Tape
- 4 small sheets of cardboard approx. 5"x"5 in size

Your Accessory Frame should be in three parts (the main frame body, and 2 detachable arms). Before starting, inflate your kayak so that you can have it ready for positioning the Accessory Frame and for gluing the Mounting Grommets into place.

### **Positioning the Mounting Grommets:**

1. Slide two of the Mounting Grommets onto the main Frame Body and position them so that they are just past the holes in the frame. SEE IMAGE 1.
2. Slide one Mounting Grommet onto each of the Detachable Arms and position them so that they are at the same end of the arm as the black pole cap. SEE IMAGE 2.



*Image 1*



*Image 2*

3. Once the Mounting Grommets are in place, attach the Frame Arms to the Frame Body.
4. Place the assembled Accessory Frame (with the Mounting Grommets in place) on a flat surface and rotate the Mounting Grommets so that the disk portion of each grommet lays flat and even on the surface.

Continued on Next Page

6. With the Mounting Grommets still on the Accessory Frame, locate the two Mounting Templates included with these instructions and place them underneath the grommets, aligning the circular shapes on the templates with the disk portion of the grommets. Align the front grommets first (these are the grommets nearest to the push buttons on the frame assembly), then slide the rear grommets (these are the grommets on the detachable arms) as needed to align them with the other set of circles on the templates.
7. Once you have aligned the grommets on the Mounting Templates, use your scotch tape to tape the templates into place under the grommets. Be sure to tape the templates to the grommets so that you will be able to peel the tape up later without damaging the templates, trust us, this will be important later.
8. Now that the templates are in place, position the Accessory Frame where you would like it on your kayak and rotate the grommets as necessary to conform to the contours of the boat. Use a pencil or fabric chalk to mark the corner edges of the templates onto your boat.

**NOTE:** The Accessory Frame should be placed with the ends of the frame arms facing towards the cockpit of the kayak.

**NOTE:** When placing your Accessory Frame on your kayak, keep in mind your paddle stroke (so the frame will not get in the way), reachability from the cockpit, and any potential positioning that may prevent you from easily entering and exiting your kayak.

9. After marking the edges of the Mounting Templates on your boat, separate the templates from the grommets and re-align the templates with the markings on your boat. Use your pencil/chalk to mark the position of the two rectangles in the middle of the templates onto the deck of your boat and remove the templates.
10. Use your Exacto/Matte knife to cut out the marked rectangles on the deck of your kayak.

**NOTE:** Place the Plastic Cutting Mat that has been supplied with this kit under the deck of the kayak and position it under each of the rectangles as you cut them out. Make sure that the Cutting Mat is in-between the outer cover and the main tube of the kayak.

After Cutting the openings for the Mounting Grommets, position each Mounting Grommet so that it is popping up through the newly cut openings from the underside of the deck of the kayak. SEE IMAGE 3. Install the Accessory Frame by inserting the Fame Body and the Detachable Arms through the grommets and connecting all parts. This will ensure proper placement before gluing the Mounting Grommets in place.

### Gluing the Mounting Grommets:

After ensuring proper fit and alignment of the Mounting Grommets, remove the Accessory Frame, set it aside, and pull all of the grommets out of their newly cut holes.

1. Place your four sheets of cardboard on the inside of your kayak deck and position them under each of the newly cut rectangular grommet holes.
2. Starting with ONE Mounting Grommet at a time: In a well-ventilated area, apply enough glue to the top side of the Mounting Grommet disk to spread around so that the glue is evenly applied on the disk.
3. Position the Mounting Grommet so that it is popping up through the newly cut hole in the deck of your kayak, SEE IMAGE 3. Make sure you have your cardboard in place. Place your hand underneath the sheet of cardboard to ensure that it is in contact with the bottom of the grommet and apply pressure to flatten out the grommet disk while making sure that the disk is in full contact with the deck material of the kayak.
4. Once you have good contact between the deck material of the kayak and the Mounting Grommet, remove your hand from under the cardboard and proceed to apply duct tape around the perimeter of the grommet hole on the outside of the kayak. Apply the duct tape so that it flattens out the material around the base of the grommet meanwhile ensuring good contact between the material and the grommet disk. SEE IMAGE 4.

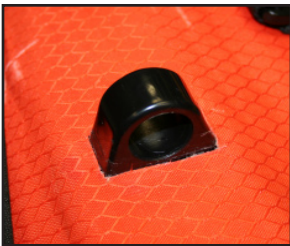


Image 3



Image 4

Continued on Next Page

5. Repeat steps 2-4 for the next three Mounting Grommets.
6. After gluing and taping all four Mounting Grommets, leave the glue to cure for at least 12 hours before installing the Accessory Frame for use.
7. Once the glue has dried, remove the duct tape, install the Accessory Frame, and you are ready to go!

---

**GROMMET APPLICATION FOR THE FOLLOWING AE MODELS:**

- StraitEdge 1
- StraitEdge 2



You can use this application method for other PVC inflatables (where you will need to glue to the outer PVC skin), as well as many hard-shell kayaks. For hard-shells, check with the manufacturer for the appropriate glue to use.

For this application you will need the following items from this package:

- 4 Mounting Grommets
- Application Glue
- Both Mounting Templates

Additional Items you will need for proper installation:

- Exacto or Matte Knife with a new blade
- Pencil
- Duct Tape

Before starting, inflate your kayak so that you can have it ready for positioning the Accessory Frame and for gluing the Mounting Grommets into place.

1. **Important:** Begin by using your Exacto/Matte knife to cut a small notch in to each of your 4 Mounting Grommets. This notch will be used to mark for proper alignment of the grommets when gluing. SEE IMAGE 5.



*Image 5*

2. Slide two of the Mounting Grommets onto the main Frame Body and position them so that they are just past the holes in the frame. SEE IMAGE 1.
3. Slide one Mounting Grommet onto each of the Detachable Arms and position them so that they are at the same end as the black pole cap. SEE IMAGE 2.
4. Once the Mounting Grommets are in place, attach the Frame Arms to the Frame Body and place the assembled Accessory Frame (with the Mounting Grommets in place) on a flat surface and rotate the Mounting Grommets so that the disk portion of each grommet lays flat and even on the surface.
5. Locate the two Mounting Templates included with these instructions and place them underneath the grommets, aligning the circular shapes on the templates with the disk portion of the grommets. Align the front grommets first (these are the grommets nearest to the push buttons on the frame assembly), then slide the rear grommets (these are the grommets on the detachable arms) as needed to align them with the other set of circles on the templates; this will ensure proper spacing between the two grommets on each side of the frame.

6. Position the Accessory Frame where you would like it on your kayak and rotate the grommets as necessary to conform to the contours of the boat. Use a pencil to trace around the disk portion of the four Mounting Grommets. **NOTE:** Make sure to also mark the notches that you cut into the grommets in step 1, this is very important for proper alignment of the grommets when gluing them to your boat!

**NOTE:** The Accessory Frame should be placed with the ends of the frame arms facing towards the seating position of the kayak.

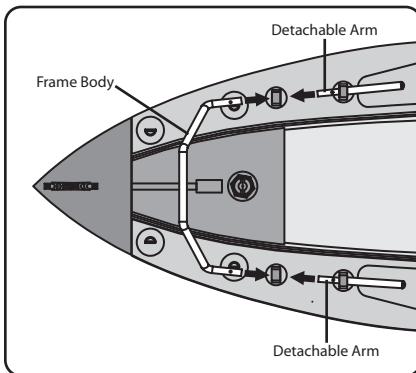
**NOTE:** When placing your Accessory Frame on your kayak, keep in mind your paddle stroke (so the frame will not get in the way), and any potential positioning that may prevent you from easily entering and exiting your kayak.

7. Once you have marked the Mounting Grommet placement on your boat, remove the grommets from the Accessory Frame and set the Accessory Frame aside.
8. Starting with ONE Mounting Grommet at a time: In a well-ventilated area, apply enough glue to the bottom side of the Mounting Grommet disk to spread around so that the glue is evenly applied on the disk.
9. Choose one of the four marked out grommet placements on your kayak, apply a thin layer of glue and spread it around to cover the marked out area. Proceed to apply the Mounting Grommet to the surface of the kayak, making sure that you have aligned the notch in your grommet to the notch mark that you made on the kayak.
10. Apply constant pressure for a few minutes to allow for the glue to set.
11. Apply duct tape around the perimeter of the grommet. Make sure to apply the duct tape so that it flattens out the grommet disk.
12. Repeat steps 7-11 for the next three Mounting Grommets.
13. After gluing and taping all four Mounting Grommets, leave the glue to cure for at least 12 hours before installing the Accessory Frame for use.
14. Once the glue has dried, remove the duct tape, install the Accessory Frame, and you are ready to go!

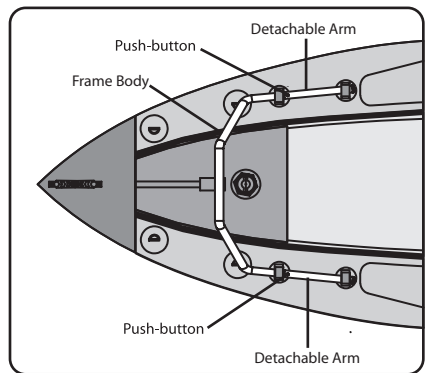
## Installing the Accessory Frame on your kayak:

Once the glue on your Mounting Grommets has dried, follow these steps for installing your Accessory Frame for use.

1. Make sure that the Accessory Frame is in 3 parts. If the Accessory Frame is assembled:
  - I. Locate the push-buttons at the sockets of the Detachable Arms.
  - II. Depress the push-buttons and separate the Detachable Arms from the Frame Body.
2. Once you have the Accessory Frame in 3 parts, slide the Detachable Arms through the grommets located at the front of the kayak. Make sure that the push-button sockets are pointed to the front of the kayak. (See Illustrations 1 and 2)
3. Socket the Frame Body onto the Detachable Arms. Make sure that the push-buttons pop up through the holes on the Frame Body. At this same time, make sure that the push-buttons are positioned in between the two grommets, not in front of the forward grommets. (See Illustrations 1 and 2)
4. To remove the Accessory Frame, press the push-buttons in at the sockets and separate the Frame Body from the Detachable Arms, then slide the Detachable Arms out of the grommets.



*Illustration 1*



*Illustration 2*





If you would like a catalog of our latest products please  
visit our website at

[www.advancedelements.com](http://www.advancedelements.com)

or call Toll Free 866-262-9076

Email: [info@advancedelements.com](mailto:info@advancedelements.com)

**IMPORTANT!**

**PLEASE READ THIS MANUAL CAREFULLY BEFORE PROCEEDING.  
AFTER READING THIS MANUAL, SAVE THESE INSTRUCTIONS  
FOR FUTURE REFERENCE.**



## Accessory Frame Sizing Dimensions

